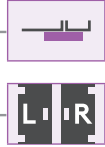


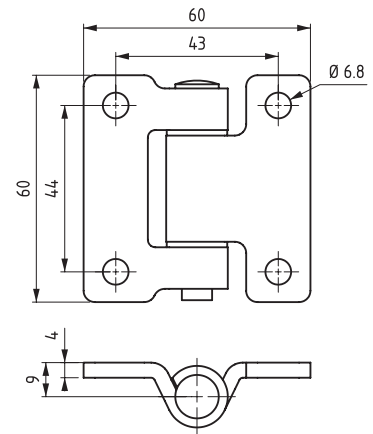
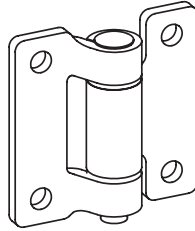
FLAT HINGES

LEAF HINGE

1599



V :1



- Stainless steel version: page 510
- Generally, used for plain/flush mounted, isolated, heavy doors.
- Both parts are attached by screws or nuts and bolts
- Hinge Rotation angle is 180°

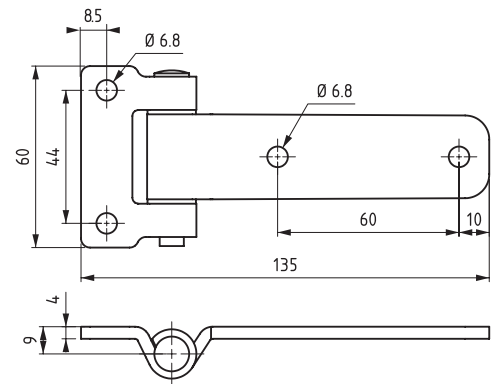
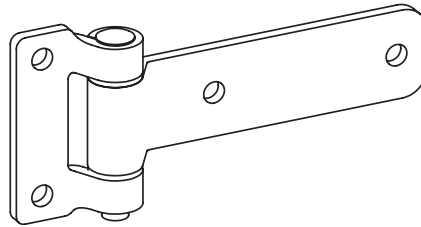
MATERIAL

BODY: Steel
PIN: Stainless steel

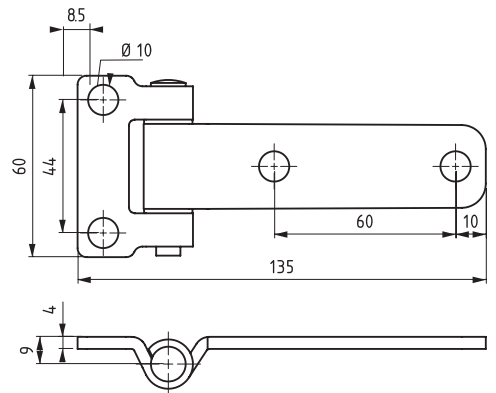
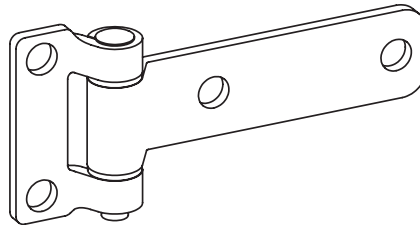
FINISH

Zinc plated or black coated

V :2



V :3



Hinge Rotation Angle



Note: Bolts are not supplied

PRODUCT CODE

1599 - 6 - F - V
GROUP CODE MATERIAL FINISH VERSION

MATERIAL	M	FINISH	F
Steel	6	Zinc plated	3
		Black coated	2